

# 2.92 mm

# K\*

<b>1.</b>	<b>Specifications, Interface Dimensions</b>	<b>22</b>
<b>2.</b>	<b>Semi-Rigid Cable Connectors</b>	<b>26</b>
	<b>Stripline Connectors</b>	<b>28</b>
	<b>Airline Connectors</b>	<b>30</b>

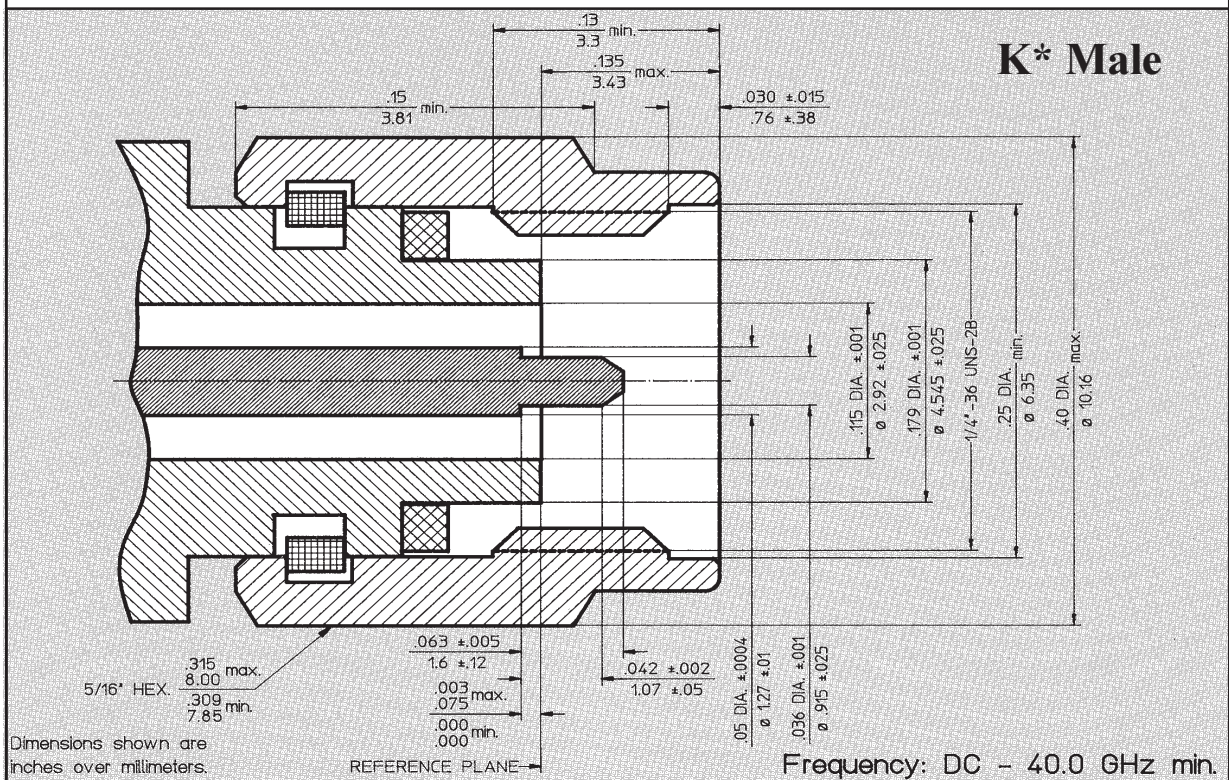
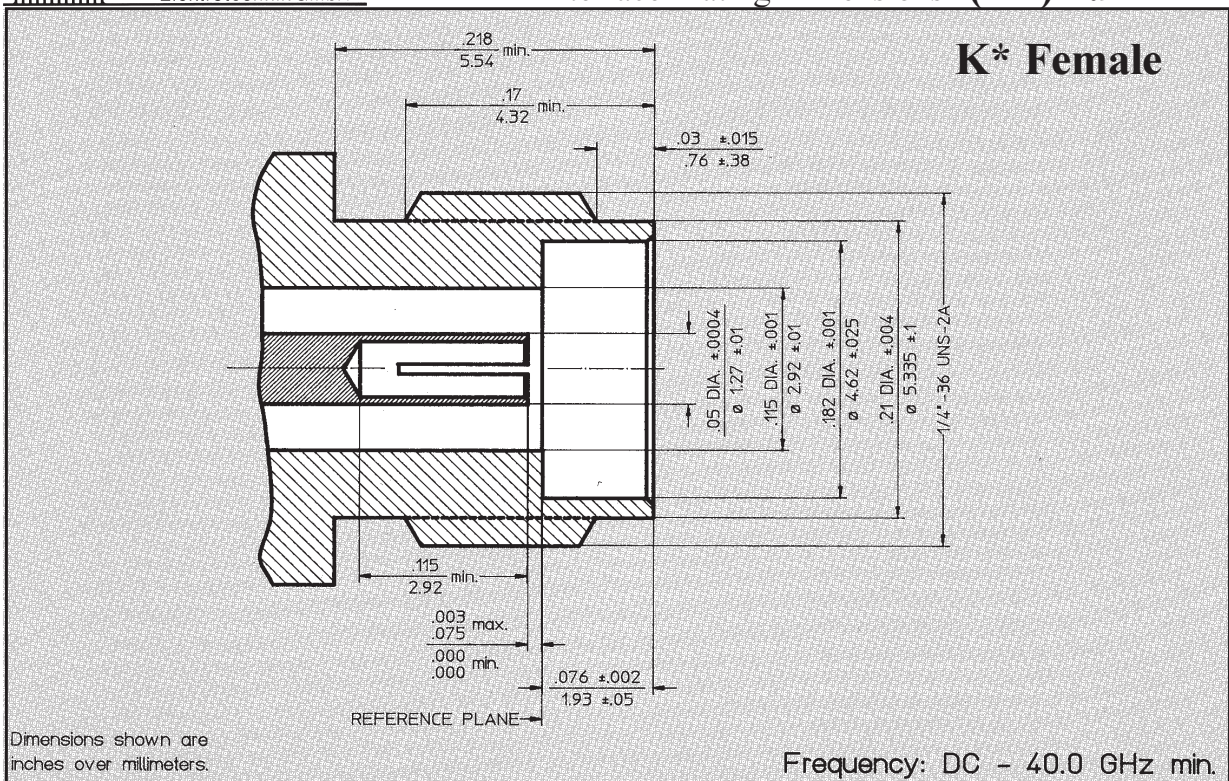
## CONTENT

2.4 mm Page 9
2.92mm (K*) Page 21
3.5 mm Page 33
7 mm Page 43
7/16 mm Page 51
BMA Page 63
BNC Page 69
C Page 77
HN Page 81
N Page 87
SBX Page 115
SBY Page 119
SC Page 123
SMA Page 131
SMP Page 189
SPM Page 201
SSMP Page 207
TNC Page 215
TNX Page 241
<b>Cable Assemblies</b> Page 245
<b>RF Multipin</b> Page 253
<b>TOOLS</b> Page 261
<b>ASSEMBLY INSTRUCTIONS</b> Page 281
<b>SPECIAL PRODUCTS &amp; SERVICES</b> Page 391
<b>APPENDIX</b>

## 2.92 mm (K\*) Specifications



<p>The specifications below are general specifications for all 2.92 mm (K*) connectors. Specific Data for VSWR, Insertion loss, R.F. leakage etc., are available from the factory upon request. Specifications in the following table are recommended for any procurement documents or drawings. In the event of any conflict between these specifications and other documentation, these specifications shall govern. These specifications are subject to change according to the latest revision.</p>	
REQUIREMENT	GENERAL SPECIFICATIONS
<b>GENERAL</b>	
Standard Materials	<p>STEEL corrosion resistant 1.4305 per DIN 17440 (QQ-S-764, class 303 or ASTM-A-582-80).  ALUMINUM AlMg4.5Mn per DIN 1725, AlMgSi0.5 per DIN 1725, AlMgSi1 per DIN 1725 (6061-T6 per QQ-A-225/8).  BRASS CuZn39Pb3 per DIN 17660 (UNS C 38500).  COPPER BERYLLIUM 33-25 CuBe2Pb H per DIN 17666 (ASTM B 196).  TFE Fluorocarbon per DIN 52900 (MIL-P-19468 and L-P403).  SILICONE RUBBER per DIN 3771 (MIL-R-5847 and ZZ-R-765, Class II B,) Grade 50 - 75.  BORRIUM NITRIDE Dielectric for high power applications per inhouse specification.</p>
Finish for	<p>COPPER BERYLLIUM Center Contacts shall be gold plated to a minimum thickness of .00005 inch (1.25 µm) in accordance with ASTM B488, Type 3, Code C, Class 1.25.</p> <p>STAINLESS STEEL shall be passivated per ASTM A 967.</p> <p>ALUMINUM Conductive Parts shall have an iridited finish per MIL-C-5541.</p> <p>BRASS Other parts, such as Coupling Nuts and Back-Bodies shall be anodized per MIL-A-8625.</p> <p>VARIOUS .00003 inch (0.75 µm) min. gold plating per ASTM B 488, or nicle plating per QQ-N-290, as specified.</p> <p>Imoloy .0001 inch (2.5 µm) min. plating, consisting of 55% Copper / 20% Zinc / 25% Tin (on special request).</p>
Design	The design shall be such that the outline dimensions in this catalog are met. In addition, the assembled connector shall meet the interface dimensions.
<b>ELECTRICAL</b>	
Frequency Range	DC - 40.0 GHz min.
Insulation Resistance	Insulation resistance is not applicable.
Voltage Standing Wave Ratio (VSWR)	1.01 + .003 * f (GHz)
Contact Resistance	The center contact resistance drop shall not exceed 2.0 milliohms and the outer contact resistance drop shall not exceed 0.4 milliohms.
Dielectric Withstanding Voltage	The magnitude of the test voltage shall be 1,000 volts rms at sea level.
RF High Potential Withstanding Voltage	RF high potential withstanding voltage not applicable. Leakage is not applicable.
RF Leakage	-(100 - f (GHz)) dB
Insertion Loss	(.03 SQT(f(GHz))) dB
<b>MECHANICAL</b>	
Connector Durability	The connector is to be tested and its mating connector shall be subjected to 500 insertion and withdrawal cycles at 12 cycles per minute max. The connector shall show no evidence of mechanical failure and the connector shall meet the mating characteristic requirements.
Cable Retention Force	60 pounds (267 N) min.
Coupling Nut Retention Force	Not applicable for Female connectors. For male connectors, the axial force is 100 lbs (445 N) max. The torque is 15 inch-pounds (1.7 Nm) max.
Force to Engage and Disengage	The torque required to engage and disengage shall not exceed 2 inch-pounds (0.226 Nm).
Longitudinal Force max.	Longitudinal force is not applicable.
Mating Characteristics	Mating Characteristics are not applicable.
Recommended Mating Torque	7 - 10 inch-pounds (0.8 - 1.13 Nm)
<b>ENVIRONMENTAL</b>	
Corrosion (Salt Spray)	Specification MIL-STD-202, Method 101, Test Condition B. The salt solution shall be 5%.
Vibration	Specification MIL-STD-202, Method 204, Test Condition B.
Shock	Specification MIL-STD-202, Method 213, Test Condition I.
Thermal Shock	Specification MIL-STD-202, Method 107, Test Condition B, except high temperature shall be + 200°C.
Moisture Resistance	Specification MIL-STD-202, Method 106. Step 7b (vibration) shall be omitted. Insulation resistance shall be 200 megohms min. within 5 minutes of removal from humidity.
Corona Level	Corona Level is not applicable.



g:\kate99\steck1.p65

\* 'K' Connector is a trademark of Wiltron Company.

## 2.92 mm (K\*) Connectors

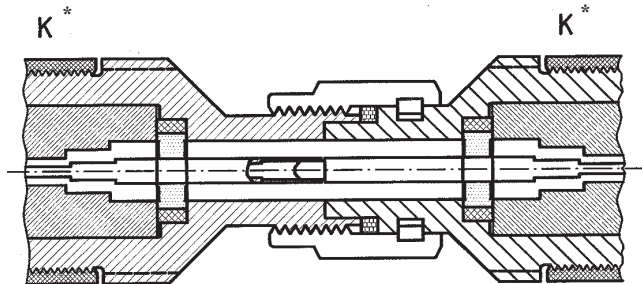


Fig. A - 2.92 mm (K\*) Mating Surface

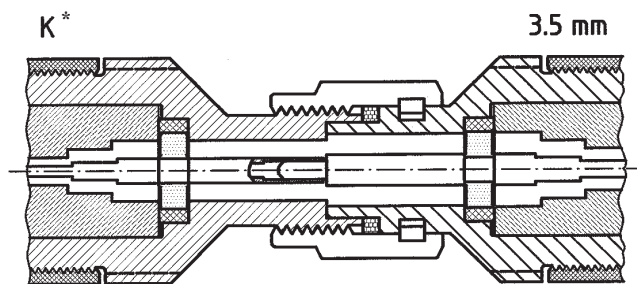


Fig. B - 2.92 mm (K\*) Interface with the 3.5 mm Connector

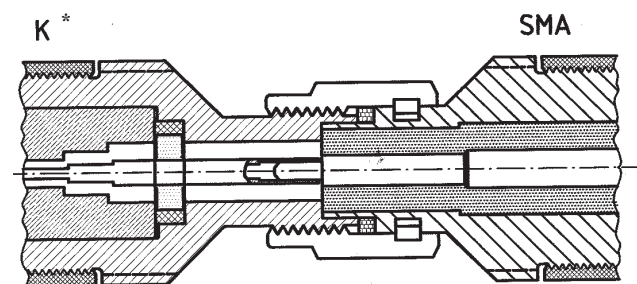


Fig. C - 2.92 mm (K\*) Interface with the SMA Connector

### About Series 2.92mm (K\*) Connectors:

Spectrum's 2.92mm connectors are high performance, 50 ohm coaxial connectors, designed to exhibit low VSWR, low loss, and to be resonance free up to 40 GHz. The connectors are designed for use with 2.92mm airlines, 0.085" and 0.141" semi-rigid cable and certain high frequency, low loss flexible cables. Launcher, panel jacks and other configurations are available as well.

The 2.92mm connector achieves its high performance through a number of design characteristics and close adherence to demanding production requirements. The interface dielectric of the 2.92mm Connector is air, thus alleviating many of the problems associated with other dielectrics. The center contact is supported by a narrow bead dielectric.

A design characteristic of the 2.92mm connector that warrants particular attention is the .030" shoulder dimension of the contacting surface of the outer conductor, illustrated in Figure A. This relatively thick wall will withstand high contact force, ensuring good connector repeatability, long life and low leakage. During tests to measure 2.92mm connector repeatability, a single connector pair was subjected to 1,000 connect-disconnect cycles, each time tightened to a torque of 10 inch pounds (1.1 Nm). Only slight degradation began to appear at the conclusion of the test.

The ruggedness and reliability of the 2.92mm connector is particularly beneficial when applied to within series and between series adapters. As previously noted, the 2.92mm connector design with the air dielectric mating face and thicker outer conductor shoulder will maintain mechanical and electrical integrity through repeated mating cycles.

An important feature of the 2.92mm connector is its versatility. The connector is sexed and mates with series 3.5mm and SMA coaxial connectors, as illustrated in figures B and C.

When mated with 3.5mm connectors, optimum performance is only achieved to 34 GHz, the point where the device limits of the 3.5mm connector dominate.

When mated to an SMA and used within the frequency range of the SMA series (which will be 18 GHz for a standard SMA, or 26 GHz for some precision SMA, and up to 30 GHz for a few special SMAs, developed by Spectrum), the VSWR performance will be typical of a mated pair of SMA connectors, as the performance of the worse connector always will dominate.

### 2.92mm (K\*) Connector Accessory Products:

A number of products within the 2.92mm connector series have been made available to facilitate the job of the test engineer. These include both within and between series adapters. A series of off-set shorts, opens and terminations are also available for automatic network analyser calibration. Factory prepared 2.92mm airline assemblies are also available to customer order.

### Special order

Captivated bead/contact subassemblies are available for most 2.92mm connectors. In addition, Spectrum is always pleased to discuss designs tailored to your specific application needs. Please consult the factory.

### Material

Coupling Nut:	Passivated stainless steel
Body:	Passivated stainless steel, or gold plated stainless steel, or gold plated brass, depending on the design.
Center Contact:	Gold plated beryllium copper

## CHARACTERISTICS\*

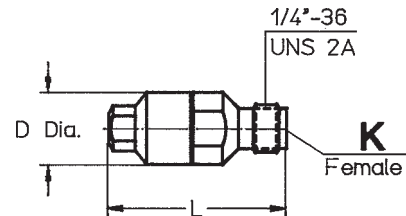
<b>ELECTRICAL</b>	
Impedance	50 ohms
Frequency range	0 - 40 GHz
VSWR	1.01+ .003f (GHz)
Insertion loss (in dB)	.03 $\sqrt{f(\text{GHz})}$
RF leakage	> -(100 dB - f (GHz))
Contact resistance	Inner: <2.0 Milliohm
	Outer: <0.4 Milliohm <sup>1)</sup>
Dielectric withstanding Voltage (max.)	1000 VRMS
Max. power (watts at Sea level)	2.0 kW / $\sqrt{f(\text{MHz})}$
<b>ENVIRONMENTAL</b>	
Thermal limits	-65°C to +85°C
Humidity	20 to 80% RH
Pressure	590 to 780 mm Hg
<b>MECHANICAL</b>	
Mating	1/4-36 Threaded Coupling
<b>MATERIAL</b>	
Body and coupling nut	Passivated or gold plated stainless steel, or gold plated brass
Center contacts	Gold plated beryllium copper

\* These characteristics are typical and may not apply to all connectors.  
<sup>1)</sup> For gold plated outer conductors.

## 2.92 mm (K\*) Semi - Rigid Cable Connectors

### K\*-Female straight

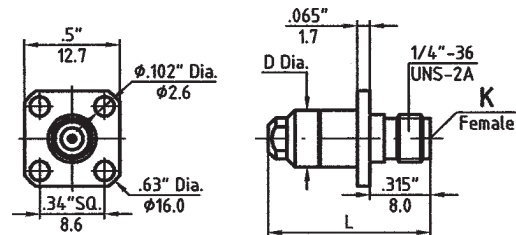
Connector Part No.	Semi Rigid Cable Type	Cable Part No.	D Dia.	L
1501-2101-02	DIA. 0.047"	421-047	.260" 6.6	.655" 16.6
1502-2101-02	DIA. 0.086"	421-086	.299" 7.6	.846" 21.5
1503-2103-02	DIA. 0.086"	421-086	.433" 11.0	.925" 23.5
1502-2102-02	0.086" Low Density PTFE	421-307	.433" 11.0	.925" 23.5
1503-2106-02	0.116" Low Density PTFE	421-069	in Development	
1503-2104-02	DIA. 0.141"	421-669	.433" 11.0	.929" 23.6
1503-2105-02	0.141" Low Density PTFE	421-298	in Development	



Connector outer conductor is passivated stainless steel.  
Center contact is beryllium copper gold plated.

### K\*-Female 4-Hole Flange Mount

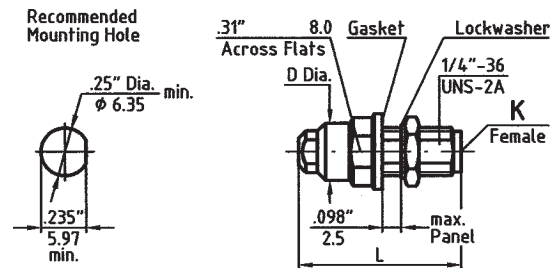
Connector Part No.	Semi Rigid Cable Type	Cable Part No.	D Dia.	L
1502-6001-02	DIA. 0.086"	421-086	.299" 7.6	.846" 21.5
1503-6001-02	DIA. 0.141"	421-669	in Development	



Connector outer conductor is passivated stainless steel.  
Center contact is beryllium copper gold plated.

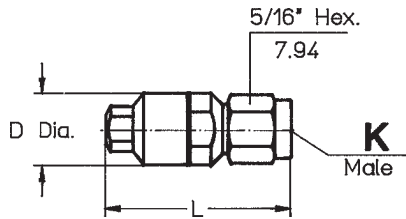
### K\*-Female Bulkhead Feedthrough

Connector Part No.	Semi Rigid Cable Type	Cable Part No.	D Dia.	L
1502-6101-02	DIA. 0.086"	421-086	.299" 7.6	.846" 21.5
1503-6101-02	DIA. 0.141"	421-298	in Development	
1503-6102-02	0.141" Low Density PTFE	422-900-3	.354" 9.0	.997" 25.3



Connector outer conductor is passivated stainless steel.  
Center contact is beryllium copper gold plated.

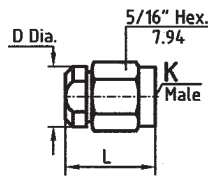
**K\*-Male straight**



Connector Part No.	Semi Rigid Cable Type	Cable Part No.	D Dia.	L
1502-1101-02	DIA. 0.086"	421-086	.299" 7.6	.886" 22.5
1503-1103-02	DIA. 0.086"	421-086	.433" 11.0	.965" 24.5
1502-1102-02	0.086" Low Density PTFE	421-307	.433" 11.0	.965" 24.5
1502-1103-02	DIA. 0.086" Handy Form I	502-13	.433" 11.0	.965" 24.5
1503-1107-02	0.116" Low Density PTFE	421-069	in Development	
1503-1104-02	DIA. 0.141"	421-669	.433" 11.0	.937" 23.8
1503-1105-02	0.141" Low Density PTFE	421-298	in Development	
1503-1106-02	DIA. 0.141" Handy Form I	501-19	.433" 11.0	.850" 21.6
1503-1108-02	0.141" Low Density PTFE	422-900-3	.433" 11.0	1.039" 26.4

Connector outer conductor is passivated stainless steel.  
Center contact is beryllium copper gold plated.

**K\*-Male straight (short version)**



Connector Part No.	Semi Rigid Cable Type	Cable Part No.	D Dia.	L
1501-1101-02	DIA. 0.047"	421-047	.258" 6.55	.531" 13.5
1502-1104-02	DIA. 0.086" Handy Form II	422-600-3	.315" 8.0	.547" 13.9
1502-1107-02	DIA. 0.086"	421-086	.315" 8.0	.547" 13.9

Connector outer conductor is passivated stainless steel.  
Center contact is beryllium copper gold plated.

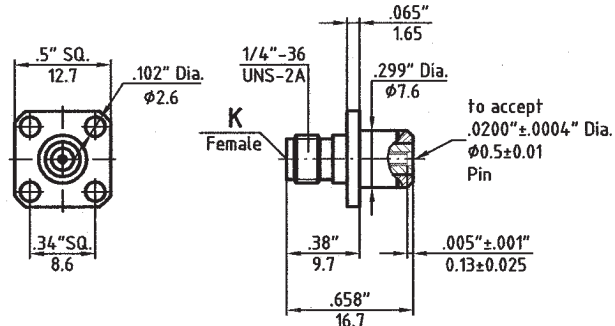
You do not find the connector you need for an application?  
You need technical support? You need price and delivery information?  
Please contact your nearest Spectrum Representative, or please contact us direct.

Telephone: +49-89-3548-040  
Facsimile: +49-89-3548-0490  
e-mail: [specelek@CompuServe.com](mailto:specelek@CompuServe.com)  
<http://www.spectrum-et.com>

## 2.92 mm (K\*) Stripline Connectors

### K\*-Female Panel Mount Contact Termination

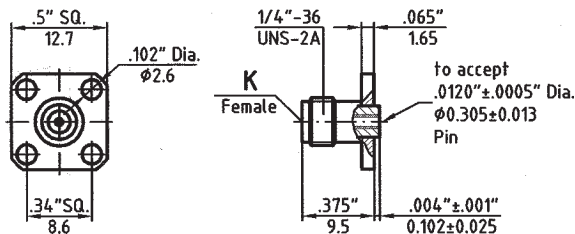
<b>Connector Part No.</b>
<b>1599-6001-02</b>



Connector outer conductor is passivated stainless steel.  
Center contact is beryllium copper gold plated.

### K\*-Female Panel Mount Contact Termination

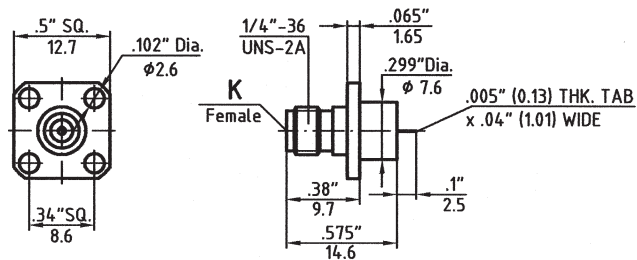
<b>Connector Part No.</b>
<b>1599-6002-02</b>



Connector outer conductor is passivated stainless steel.  
Center contact is beryllium copper gold plated.

### K\*-Female Panel Mount Contact Termination

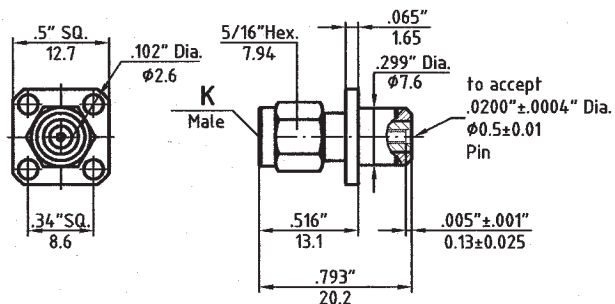
<b>Connector Part No.</b>
<b>1599-6003-02</b>



Connector outer conductor is passivated stainless steel.  
Center contact is beryllium copper gold plated.

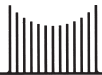
### K\*-Male Panel Mount Contact Termination

<b>Connector Part No.</b>
<b>1599-7001-02</b>



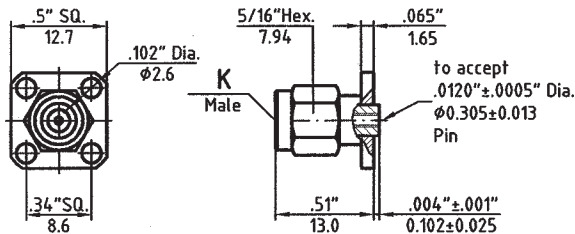
Connector outer conductor is passivated stainless steel.  
Center contact is beryllium copper gold plated.





**K\*-Male Panel Mount Contact Termination**

**Stripline Connector**

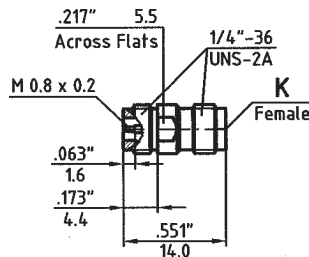


<b>Connector Part No.</b>
<b>1599-7002-02</b>

Connector outer conductor is passivated stainless steel.  
Center contact is beryllium copper gold plated.

**K\*-Female Waveguide Coupling Connector**

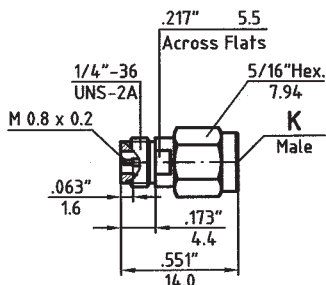
**Waveguide Coupling Connectors**



<b>Connector Part No.</b>
<b>1599-5501-02</b>

Connector outer conductor is passivated stainless steel.  
Center contact is beryllium copper gold plated.  
Center contact is Bead captivated.

**K\*-Male Waveguide Coupling Connector**



<b>Connector Part No.</b>
<b>1599-5601-02</b>

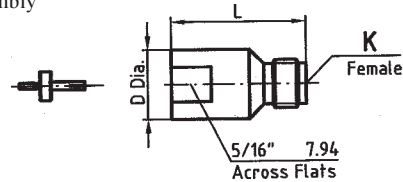
Connector outer conductor is passivated stainless steel.  
Center contact is beryllium copper gold plated.  
Center contact is Bead captivated.

g:\kai\ste99\steckf.p65

## 2.92mm (K\*) Airline Connectors

### 2.92mm (K\*) -Female straight Airline

Female contact assembly

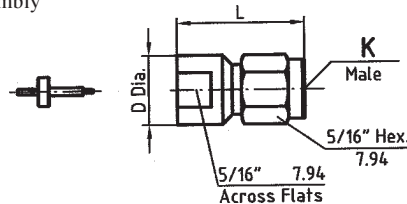


Connector Part No.	D Dia.	L
15AL-2101-00	in Development	

Connector outer conductor is brass gold plated. Center conductor is beryllium copper gold plated.

### 2.92mm (K\*) -Male straight Airline

Male contact assembly



Connector Part No.	D Dia.	L
15AL-1101-00	in Development	

Connector outer conductor is brass gold plated. Center conductor is beryllium copper gold plated.

## 2.92mm (K\*) Connectors for Flexible Cable Assemblies?

A variety of connectors are available, designed for Spectrum's state-of-the-art Flexible Cables. For these Cable Assemblies please refer to "The '97 Handbook Cable Assemblies", or please request detailed product information to your needs:

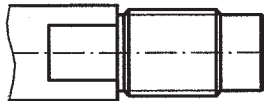
Telephone: +49-89-3548-040

Facsimile: +49-89-3548-0490

e-mail: [specelek@CompuServe.com](mailto:specelek@CompuServe.com)

<http://www.spectrum-et.com>

Airline Outer Conductor



Airline Inner Conductor

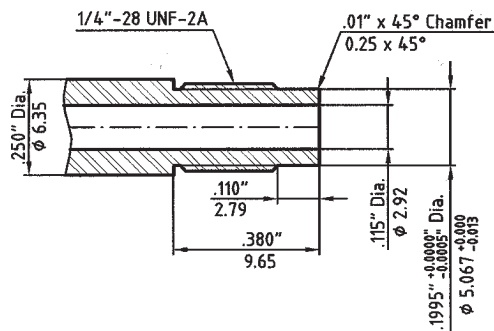


**Airline preparation:**

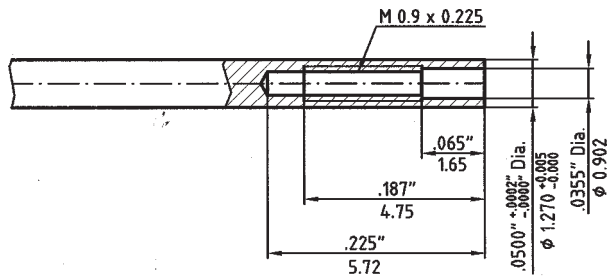
Prepare outer and center conductors to dimensions shown. Strict adherence to dimensional tolerances is required for utmost performance.

**Dimensions**

Outer Conductor (Scale 2:1)



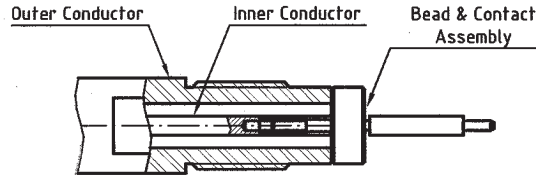
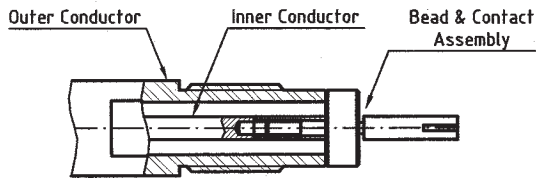
Inner Conductor (Scale 5:1)



g:\katsie99\steckf.p65

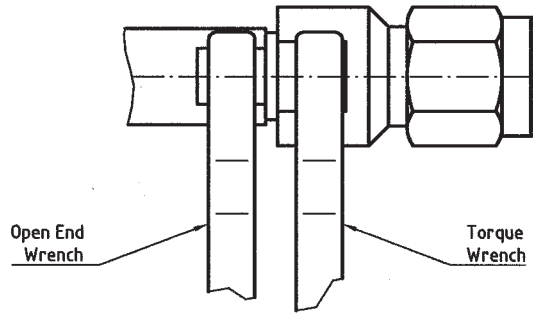
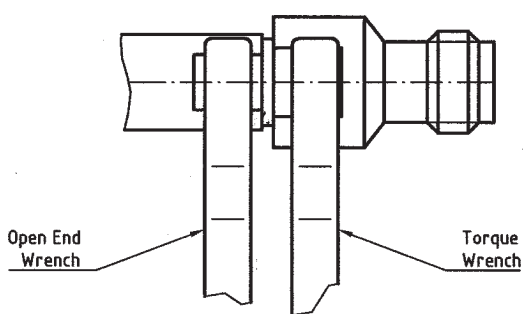
**Assembly Female**

**Assembly Male**



**Connector Assembly:**

Thread center conductor assembly into airline center conductor until finger tight and place into airline outer conductor as shown. Carefully guide the connector housing over the center conductor assembly and onto the airline outer conductor. Seat the airline outer conductor in the assembly. Thread the body assembly until it is finger tight.



Secure the assembly by wrench tightening the connector housing to the airline outer conductor with torque of 30 inch pounds (3.39 Nm).